

# WideTEK® 60CL

## WideTEK 60CL-600

Ultra fast, attractively priced  
scanner for technical documents,  
with built in computer and software



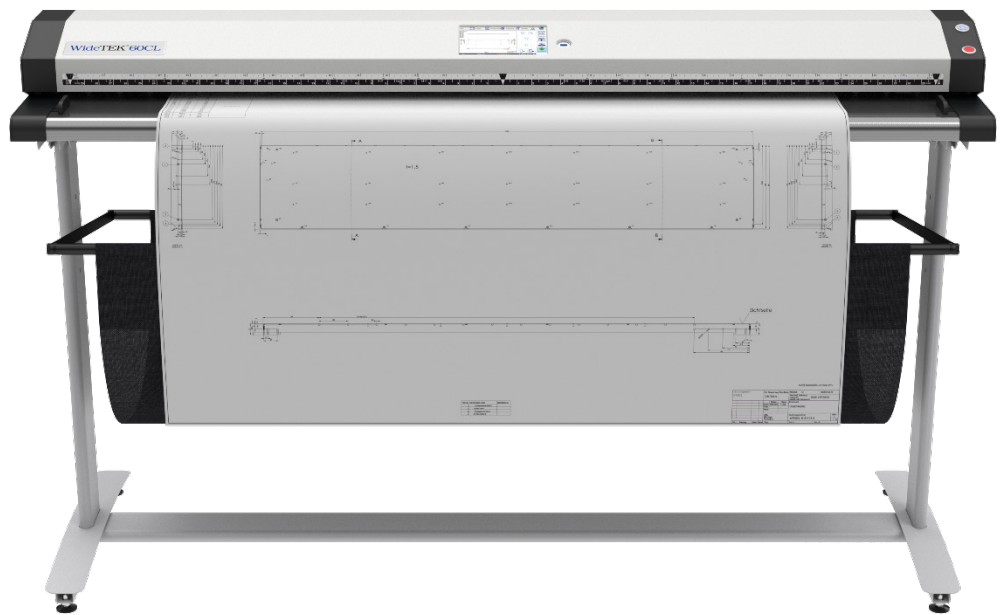
**Fastest and highest quality color  
60 inch CIS scanner on the market  
Made in Germany at lowest prices**



© 09\_2022 / EN



- SCANS UP TO 60 INCH
- FEEDS UP TO 61.85 INCH
- FADGI AND ISO 19264-1 COMPLIANT
- 1200 x 1200 DPI SCANNER RESOLUTION
- FAST SCANS: 8 INCHES PER SECOND AT 150 DPI IN FULL COLOR
- ENDLESS SCANNING - SCAN UNLIMITED LENGTHS TO MULTIPAGE PDF
- INTEGRATED 64BIT LINUX, INTEL QUAD CORE, 16 GB RAM, 128GB SSD
- GIGABIT TCP/IP NETWORK INTERFACE
- SUPPORTS SRGB, ADOBE RGB, NATIVE COLOR SPACES
- LARGE WVGA COLOR TOUCHSCREEN FOR SIMPLIFIED OPERATION
- INTEGRATED WALK UP SCANNING SOFTWARE
- FACE UP SCANNING
- CENTER FEED, LEFT OR RIGHT SIDE FEED
- AUTOMATIC SIZE AND POSITION DETECTION
- AUTOMATIC CROP AND DESKEW
- DURABLE, ANTISTATIC, ALL METAL PAPER PATH
- VIRTUAL RESCAN, MODIFY IMAGES WITHOUT RESCANNING
- OPTIONAL EXTERNAL FULL HD TOUCHSCREEN
- BUILT TO LAST
- EASY INSTALLATION VIA SCAN2NET® TECHNOLOGY



*The WideTEK® 60CL-600, a true standalone system with built in computer and software, raises the bar again. This scanner for technical documents is the most complete solution on the market today, available at an extremely attractive price.*

*Using the latest camera technology this scanner exceeds all criteria set forth in the FADGI \*\*\* guidelines and ISO 19264-1 level B.*

*Professional quality. Made in Germany.*

**Fastest 60 inch color CIS scanner at the lowest possible price.  
Delivers images in brilliant quality with excellent color accuracy**

The WideTEK® 60CL-600 is by far the fastest 60 inch color CIS scanner on the market, running at 8 inches per second at 150 dpi in full color. At the full width of 60" and 600dpi resolution, the scanner still runs at 1 inch per second. The scanning speeds are tripled in black and white and grayscale modes but can be individually configured if required for example, to scan fragile, valuable documents.

All of these speeds are guaranteed, due to the Scan2Net® technology integrated in the scanner's own built in 64 bit Linux PC. It is a true standalone system, capable of scanning directly to FTP servers, hot folders, USB drives, to cloud applications in the internet or copying to printers directly, without the need for an extra PC.

The WideTEK® 60CL produces extraordinarily sharp images, with color accuracy even superior to competing CCD scanners. Document rotation is done on the fly, a scan of an E-sized / A0 document in landscape at 300 dpi in 24bit color takes less than 7 seconds to scan and another 2 seconds to crop & deskew, preview and store.



*Large documents like maps rewind to the front or fall into the paper catch.*

**Further highlights that make the WideTEK® 60CL scanner the best choice for many applications:**

- Scan2USB – Walk up scanning to a USB device
- Scan2Print – Copy to networked printers or hot folders
- Scan2Network – Output to network resources, SMB, FTP
- Output formats: PDF, PDF/A, JPEG, TIFF, PNM, multipage PDF and TIFF, DICOM and many more
- OS independent, runs with Windows 7, 8, 10, Linux, Mac
- ScanWizard uses any browser: IE, Safari, Chrome, Firefox
- PrintWizard copies to networked printers or hot folders
- Remote maintenance, troubleshooting and firmware updates
- Wide color gamut, supports sRGB, Adobe RGB, native RGB

**Models**

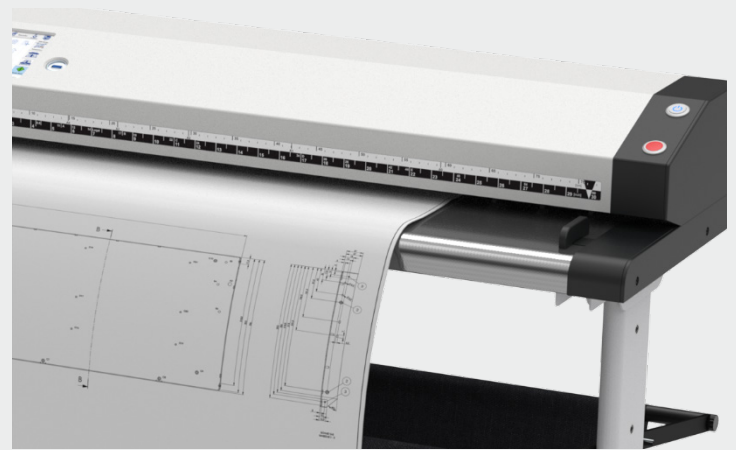
- WT60CL-600 – Base model, most affordable in the industry

**Bundles, offering maximum value at a very attractive price:**

- WT60CL-BDL1 – Perfect for your conversion projects, a complete walk up scanning solution

**Options:**

- Floor stand with adjustable paper catch
- External full HD 21" touchscreen with flexible monitor arm
- Batch Scan Wizard for high volume scanning
- Full Coverage Warranty – Up to 5 years, free spare parts & more
- Print Wizards for Canon (iPF, OCE), HP (DesignJet, PageWide), EPSON SureColor



*A USB 3.0 port lets you take away your scanned images on a USB device.*

**Markets and Applications**

WideTEK® 60CL-600, a valuable production device for numerous markets

**WideTEK® 60CL-600 Markets**

- AEC, Architecture, Engineering, Construction, CAD
- Utility Companies, Developers, Government
- Copy Services, Reprographics
- GIS, Mapping Services
- Media Control, Press Clipping Services
- Universities, Libraries, Registries

The applications are many and diverse. WideTEK® 60CL-600 for nearly any application where you need wide format and production speeds.

**WideTEK® 60CL-600 Applications**

- Scanning of maps, color posters, display graphics
- Reproducing artwork, photographs
- Scanning of engineering and architectural CAD drawings
- Production scanning of newspapers, periodicals and magazines
- Digitizing documents from government offices and registries
- Archiving and copying blueprints and sepias

The Scan2Net® platform is the technological foundation of all WideTEK® and Bookeye® scanners from Image Access. It replaces the proprietary scanner drivers and software that traditional scanners require with the fastest common, nonproprietary inter-device connection available: TCP/IP over Ethernet. With network interface speeds much higher than USB 2 or USB 3 scanners, Scan2Net® devices are able to reach unrivaled performance at extremely low connectivity cost.

Scan2Net® scanners feature a 64bit Linux based operating system, dedicated to scanner specific imaging and mechanical control tasks, maximizing scanning speeds and performance.

## Scan2Net® Advantages

- 64bit Linux based computer, fast and virus protected
- Easy integration into existing network structures
- Only a single IP address is required to run the scanner
- Integration and remote access via the Intranet or even the Internet
- Scans directly to SMB, FTP, hot folders, USB, Email or the Cloud without the need of an external PCs
- Simple, intuitive operation, Java and HTML based
- Clear menu structure, operation via touchscreen
- Multilanguage support, customizable user interface

## TECHNICAL DATA

Maximum Document Size / Scan Width	1570 mm (61.85 inch) / 1524 mm (60 inch)
Document Thickness	12 mm (0.5 inch)
Scanner Resolution	1200 x 1200 dpi (optionally 9600 x 9600 dpi interpolated)
Speed in 24 bit Color, full 60" width	200 dpi – 9.1 m/min (6 inch/s), 300 dpi – 6.1 m/min (4 inch/s) 600 dpi – 1.5 m/min (1 inch/s), 1200 dpi - 0.8 m/min (0.5 inch/s)
Speed in 8 bit Grayscale, full 60" width	200 dpi – 22.9 m/min (15 inch/s), 300 dpi – 18.3 m/min (12 inch/s) 600 dpi – 4.6 m/min (3 inch/s), 1200 dpi - 2.3 m/min (1,5 inch/s)
Color Depth	48 bit color, 16 bit grayscale
Scan Output	24 bit color, 8 bit grayscale, bitonal, enhanced halftone
File Formats	Multipage PDF (PDF/A) and TIFF, JPEG, JPEG 2000, PNM, PNG, BMP, TIFF (Raw, G3, G4, LZW, JPEG) AutoCAD DWF, JBIG, DjVu, DICOM, PCX, Postscript, EPS, Raw data
ICC Profiles	Embedded for sRGB, Adobe RGB and native. Individual profiling via web based Scan2ICC subscription
Quality	Exceeds FADGI *** guidelines, ISO 19264-1
Camera	5x CIS modules, 36,720 pixels, encapsulated and dust-proof
Light source	RGB LED
Computer	64 bit Linux, Intel quad core processor, 128GB SSD, 16 Gigabyte RAM, for very long scans
Touchscreen / Monitor	7 inch color touchscreen / 21 inch touchscreen with arm (included in the bundle)
USB Port	1 USB Port 3.0
Interface	1 GBit Fast Ethernet with TCP/IP based Scan2Net® Interface
Dimension	170 x 1697 x 358 mm (6.7 x 66.8 x 14.1 inch) (H x W x D)
Weight	34 kg / 75 lbs.
Electrical Connection	100 – 240 V AC, 47 – 63 Hz (external power supply, complies with ECO standard CEC level VI)
Power Consumption	< 0.5 W (Sleep) / < 5.8 W (Standby) / < 30 W (Ready to scan) / < 50 W (Scanning)
Operating Temperature	5 to 40 °C, 40 to 105 °F
Relative Humidity	20 to 80 % (non-condensing)
Noise	< 35 dB(A) (Scanning) / < 25 dB(A) (Standby)
Monitor Options / Stand Options	<a href="#">WT-TOUCH21</a> , <a href="#">WT-TOUCH22</a> / <a href="#">WT60-STAND</a>
Approvals	IEC 62386-1, UL62368-1, CSA C22,2#62368-1; CB, CE, FCC, RoHS



Visit our homepage!

IMAGE ACCESS GMBH

Hatzfelder Str. 161-163  
42281 Wuppertal, Germany  
Phone: +49 202 27058-0

[www.imageaccess.de](http://www.imageaccess.de)

IMAGE ACCESS LP

400 N. Belvedere Drive  
Gallatin, TN 37066, USA  
Phone: +1 (615) 675-4141

[www.imageaccess.us](http://www.imageaccess.us)

Technical changes, errors and omissions excepted.  
All information subject to change. © Image Access GmbH 2022